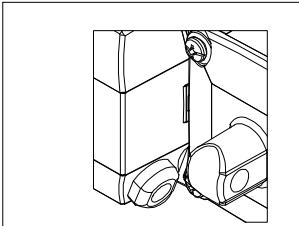
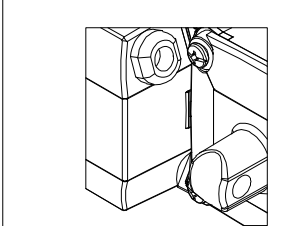


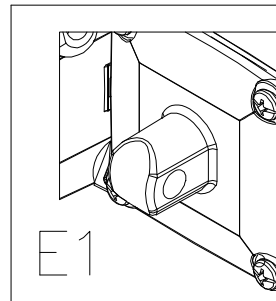
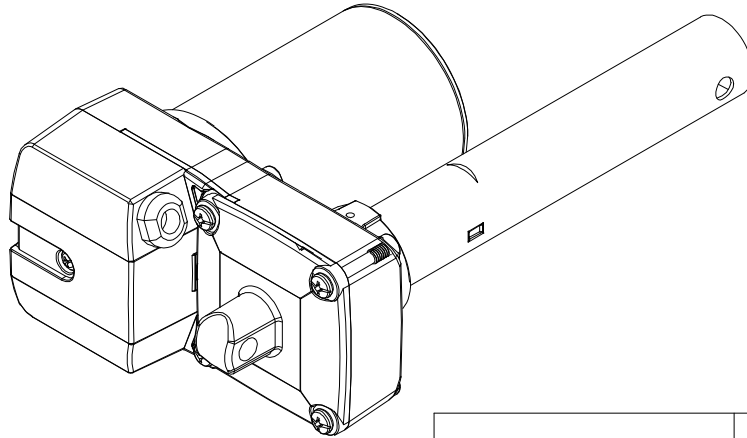
JM35



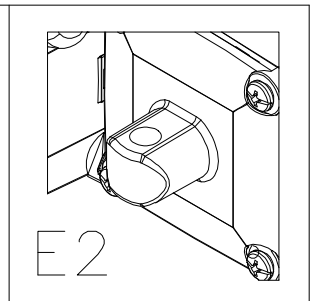
W2



W1



E1



E2

Model: JM35	
Input Voltage	6 to 180 VDC, PMDC
Load Capacity Thrust	1250 Pounds (5550 Newton's)
Travel Speed Inch per Second (mm per sec)	0.14 to 0.42 Inch per sec (3.6 to 10.7mm)
Operating Temperature	40 to 60°C
Duty Cycle	1 Minute On 5 Minutes Off
Thermal Protector Rating	Optional, 80°C 100 volts
Stroke	Customer Defines
Feedback Potentiometer, Optical, Reed	Optional, Internal mounting

